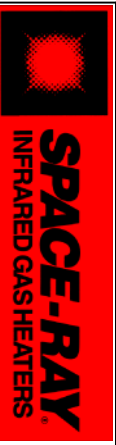
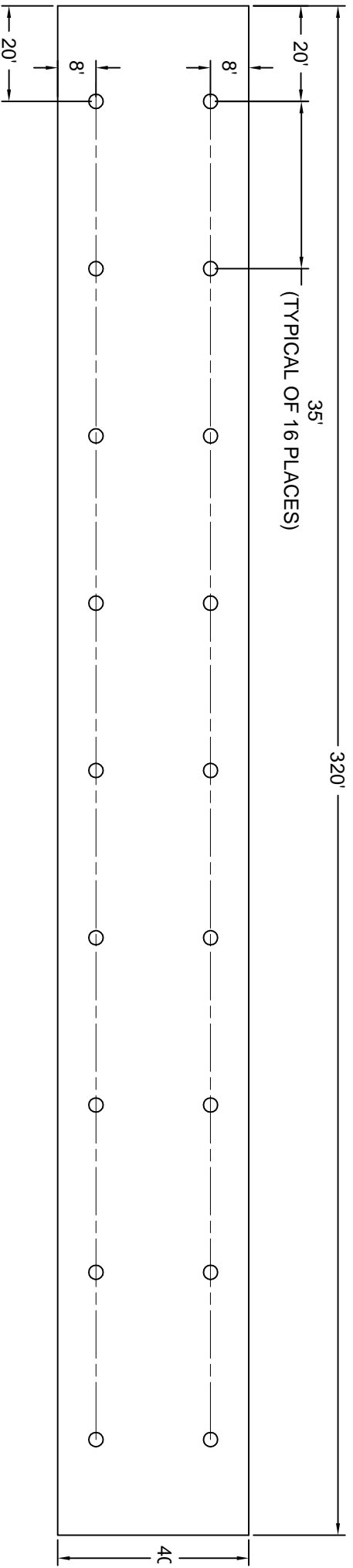
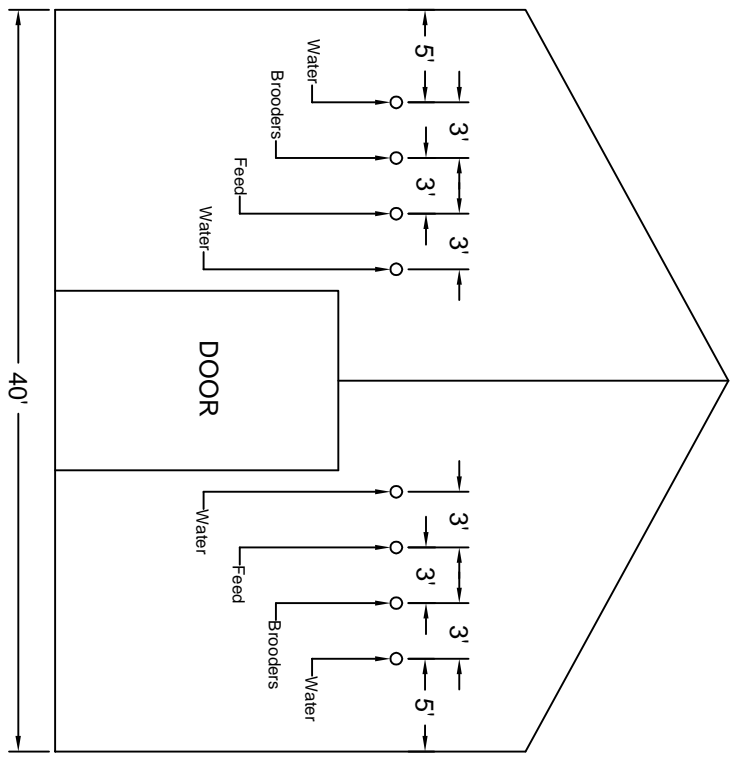
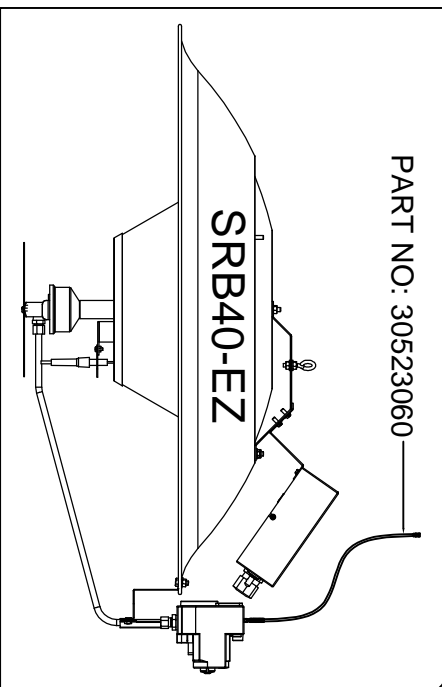


PART NO: 30523060



Title: 40' X 320' TRIPLE - P - RANCH  
COLE CAMP, MO

Drawn By: RJ Herrington Date: 30 OCT 08