



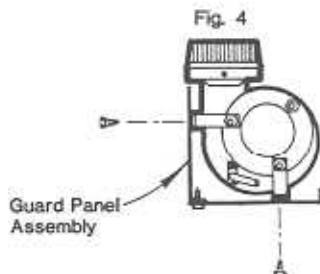
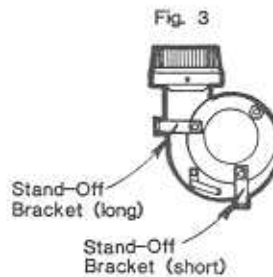
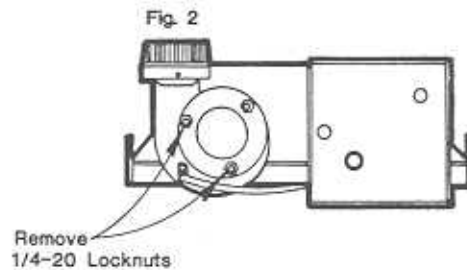
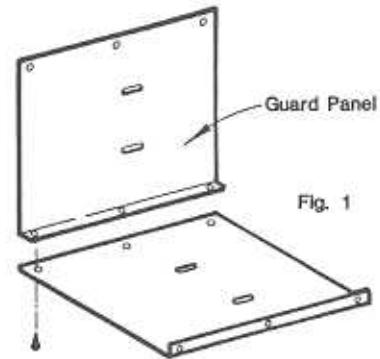
DRAFT INDUCER GUARD KIT

Models: CB20 through CB50

The Draft Inducer Guard Kit is required when the CB series of infrared tube heaters is installed at mounting heights between 6ft. and 8ft. above a finished floor.

INSTALLATION INSTRUCTIONS:

1. Preassemble the (2) guard panels as shown in Figure 1 using the screws provided in the kit.
2. Remove (2) of the 1/4-20 locknuts located on the Draft Inducer housing as shown in Figure 2.
3. Place the shorter of the two standoff brackets onto the bottom housing weld stud and secure it with the 1/4-20 locknut removed in Step 2.
4. Place the other standoff bracket onto the left housing weld stud and secure with the other 1/4-20 locknut removed in Step 2. See Figure 3.
5. Attach the preassembled panel assembly to each standoff bracket using the sheet metal screws provided in the kit. NOTE: Two screws are required to secure the Guard Panel Assembly to each stand-off bracket. See Figure 4.



KIT NO. 4348600

Part No.	Description	Qty
0221202	Sheet Metal Screw #8 x 1/2	7
4351600	Guard Panel	2
4351701	Stand-off Bracket (Short)	1
4351702	Stand-off Bracket (Long)	1
4351800	Form, Draft Inducer Guard Installation	1